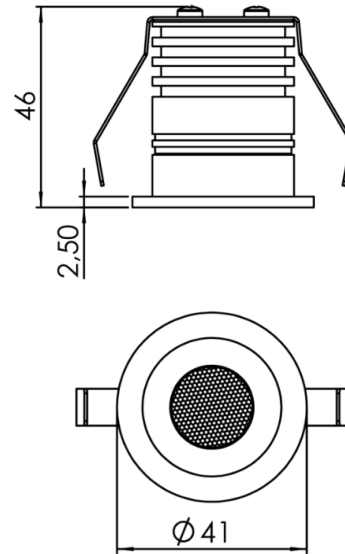


lightou



CODE: AR1



GENERAL INFO

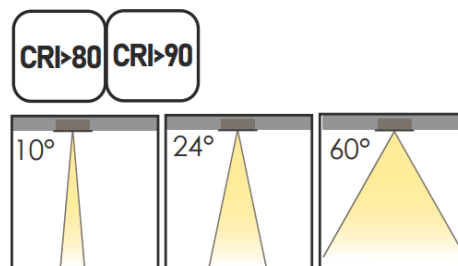
INSTALLATION: INDOOR
CUTOUT SHAPE/SIZE (MM): 36
RECESSED DEPTH (MM): 46
INGRESS PROTECTION: IP54
WEIGHT (KG): 0,2
ADJUSTABILITY:
MATERIAL: BODY: ELECTROSTATIC POWDER
COATED MACHINED ALUMINUM

ELECTRICAL INFO

CLASS: CLASS II

LIGHTSOURCE INFO

LIGHT SOURCE: LED
VOLTAGE: 220V-240V
WATT 3,5W
CRI: 80-90
KELVIN: 2700K-3000K-4000K-5000K-6500K
REFLECTOR ANGLE: 10°-24°-60°



PRODUCT COLOUR OPTIONS



REQUIREMENTS